

U-VENT

U-VENT/100 Automated BVM (AMBU) Ventilator

- VCV (Volume Control Ventilation)
- ACV (Assist Control Ventilation)
- SPONT (Spontaneous Breaths Monitoring)
- STANDBY
- CPAP (Non-Invasive) (Optional)



UMED

MEDICAL INSTRUMENTS



U-Vent/100 is designed to perform invasive mechanical ventilation by automatically controlling AMBU or any standard breathing balloon set (BVM).

U-Vent/100 has a very sensitive mechanical system powered by a step motor. Thanks to the sensitive position tracking controllers, it breathes and releases the AMBU at the specified rates and performs ventilation. The device contains a precision pressure sensor, and a flow sensor for controlling gas flow, volume and pressure parameters. Thanks to these sensors, the ventilation process is precisely controlled.





U-Vent /100 can be used without an external oxygen supply, by using room air (21% O₂). The device can also, optionally, be used with an air-oxygen blender. The desired oxygen amount and flow can be adjusted by the user.

All surfaces and the touch screen display of U-Vent/100 AMBU ventilator can be cleaned with disinfectants. The touch screen display is suitable for use with examination gloves.

U-Vent/100 AMBU ventilator does not require extensive installation. It is ready to be used in a very short time after plugging in and placing the BVM (AMBU) set.



U-Vent/100 has a sensitive and wide 10" touch screen display. On this screen, device settings, graphics and real-time breathing values can be monitored. Pressure, volume and flow charts can be displayed individually or together on the device screen.

The tidal volume, airway pressure, I / E ratio, minute volume, breath rate, oxygen rate, peak air pressure, plateau air pressure, and minimum air pressure can be read as numerical values on the touch screen of the device.



U-Vent/100 has a protective cover lid made of transparent plexiglass material for operational safety. This cover lid is designed to prevent foreign materials from entering the AMBU operating area, but also to prevent external interference with the AMBU.

Thanks to the transparent structure of the cover lid, the operation of the system can be easily observed from the outside. In an emergency, the cover lid can be opened easily, allowing for manual intervention.



Control : PLC
 Display 10" Touchscreen
 Ventilation Modes STANDBY
 VCV (Volume Control Ventilation)
 ACV (Assist Control Ventilation)
 SPONT (Spontaneous Breaths Monitoring)
 CPAP (Optional)

Available Patient Groups : Adult and Pediatric

Ventilation Parameters: : Tidal Volume 100 ml - 1000 ml
 Breaths per Minute 10-30 bpm
 Inspiration / Expiration Rate 1:1-1:3
 Airway Pressure (10-60 cm H2O)
 PEEP (4-20 cm H2O)

Realtime Values : Tidal Volume
 Maximum Inspiration
 Plateau Pressure
 Minimum Airway Pressure

Graphics : Volume / Pressure / Flow

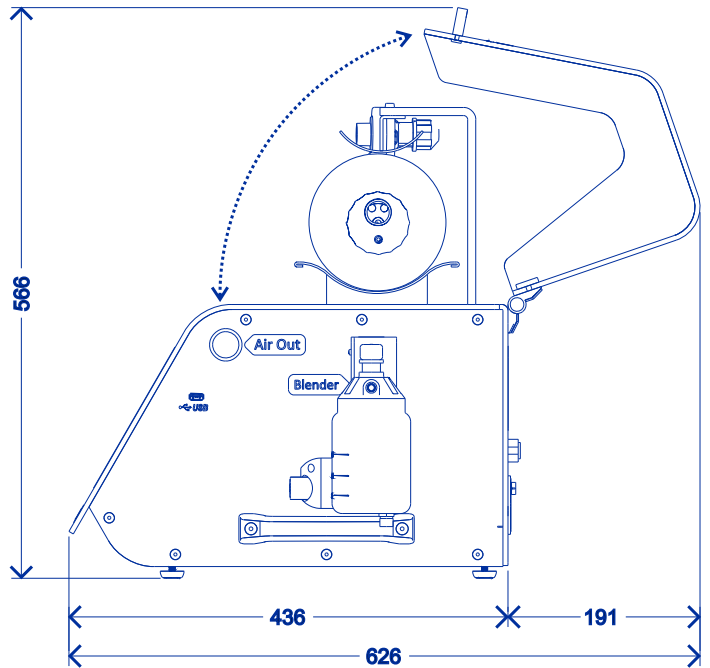
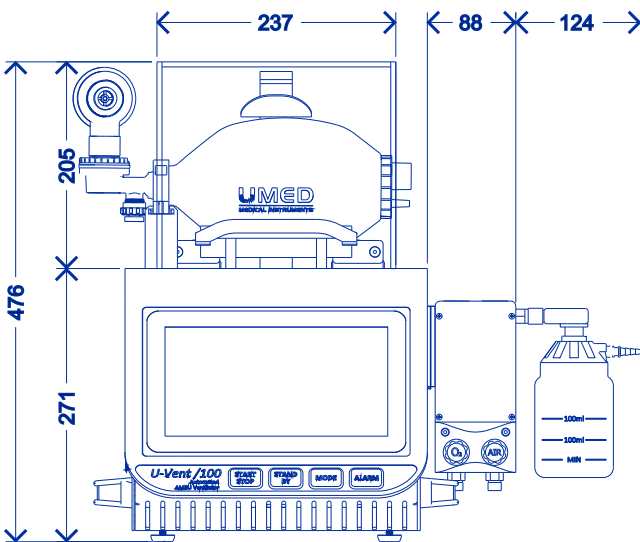
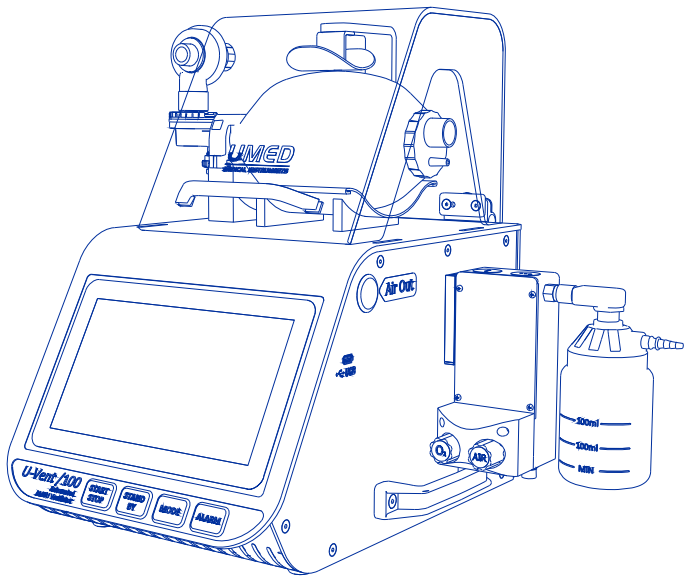
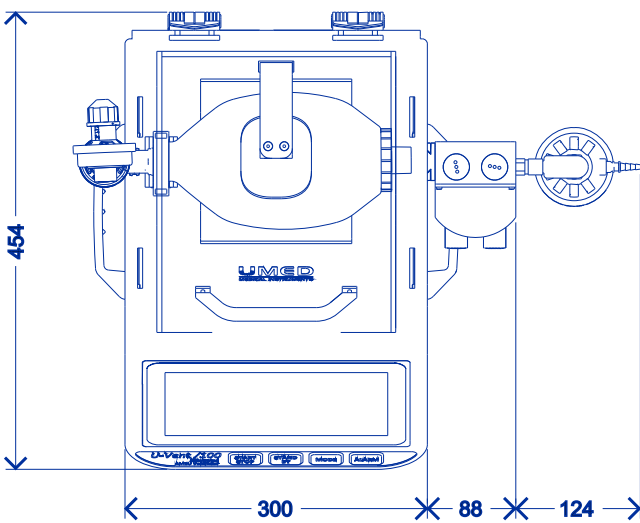
Alarms : Ventilator Out of Operation (High Priority)
 Power is Running Out (High Priority)
 High Air Pressure (High Priority) (User Adjustable)
 Low Air Pressure (High Priority) (User Adjustable)
 Low Tidal Volume (High priority) (User Adjustable)
 Low Minute Volume (High Priority) (User Adjustable)
 Apnea (High Priority) (User Adjustable)
 Main Power Failure (Low Priority)
 Battery Power Drop (Medium Priority)

Network : Ethernet TCP/IP

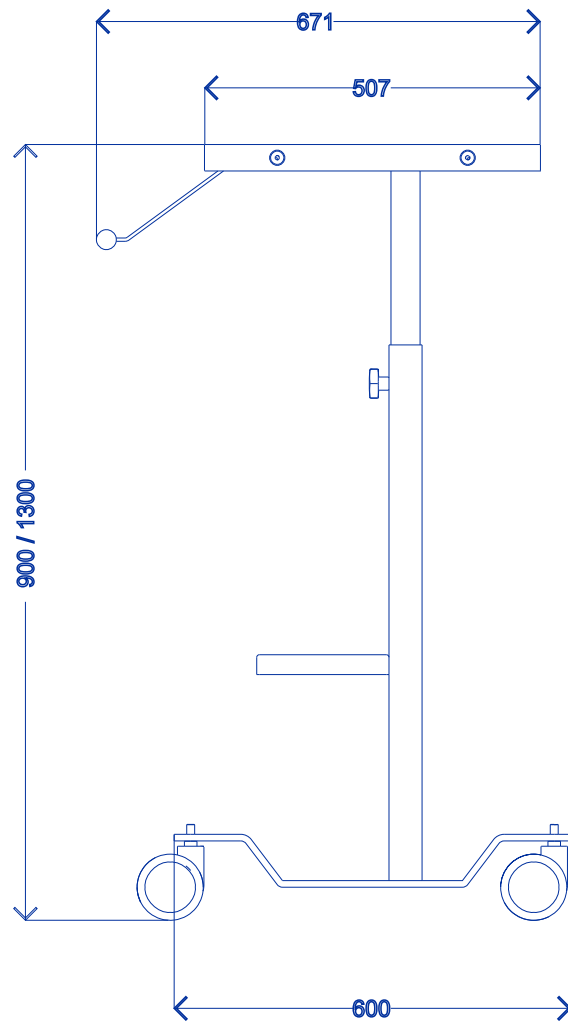
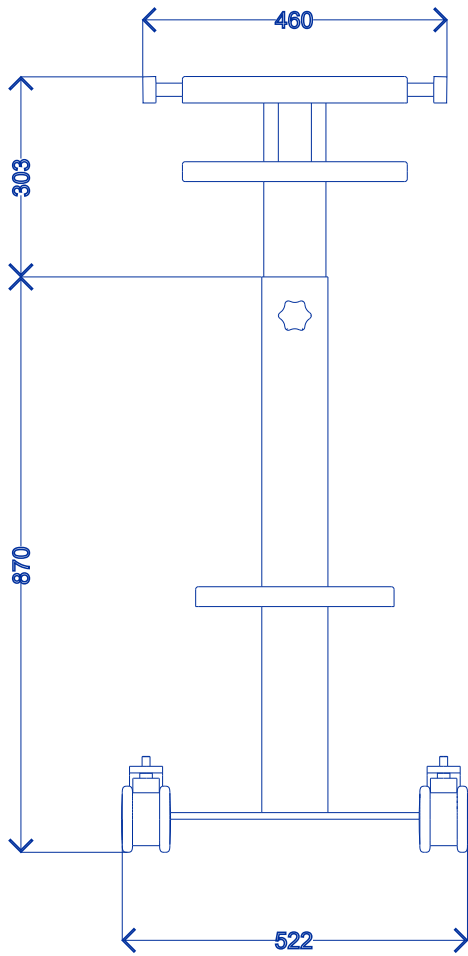
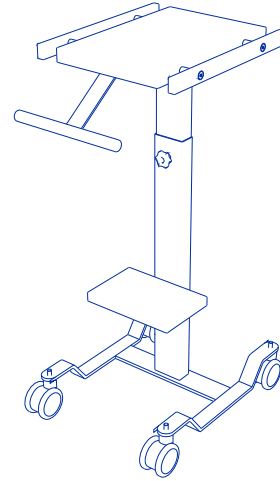
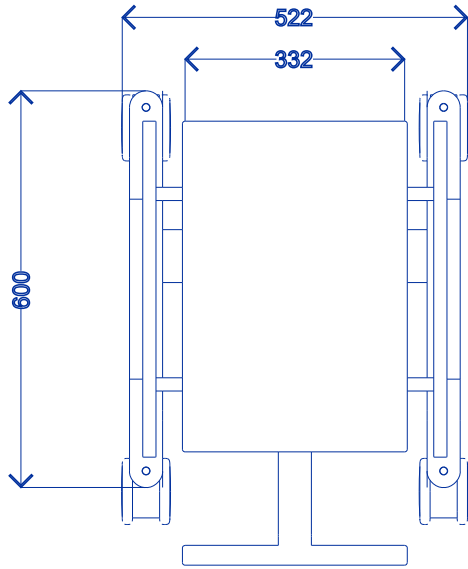
Power : 110-220V / 50-60Hz
 Battery Backup / 30 Minutes (Optional)

Weight : 16 kg
 21 kg (With Backup Battery)

* Dimensions in Millimeters



* Dimensions in Millimeters





UVT-100 TROLLEY

Height Adjustable
Electrostatic Powder Coated
Robust Steel



U-VENT

U-VENT/100 Automated BVM (AMBU) Ventilator



UMED

MEDICAL INSTRUMENTS

ASO 1. Organize Sanayi Bölgesi Ural Caddesi No:18
06935 Sincan - Ankara / TURKEY
T. +90 312 394 38 75 (pbx) • F. +90 312 394 38 77